

Pre-owned Car Certificate

Mercedes-Benz vehicle are checked comply to
Mercedes-Benz Thailand requirements



VIN: W1K2060546L009429
Inspection Report No.: 138
Inspection Date: 13/12/2024
KM Status: 18916

Grading Level

- | | | | |
|----|---|---|-------------------------------------|
| 3A | = | Excellent Condition (No repaint or parts damage) | <input type="checkbox"/> |
| A | = | Good Condition (a parts re-painted or slightly damage) | <input type="checkbox"/> |
| B | = | Normal Condition (several parts repainted or slightly damage) | <input checked="" type="checkbox"/> |
| C | = | Poor Condition (medium/heavy accident, no or poor rework) | <input type="checkbox"/> |

 17 DEC 2024

Signature / Date

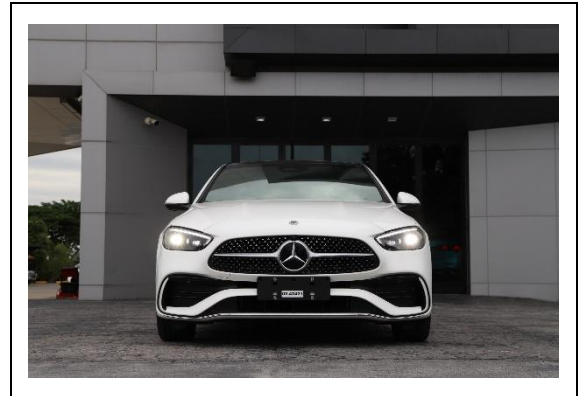
On behalf of **BGAC MB Automotive Engineering**

VIN: W1K2060546L009429
Inspection Report No.: 138
Inspection Date: 13/12/2024
KM Status: 18916

Photo documentation - Exterior



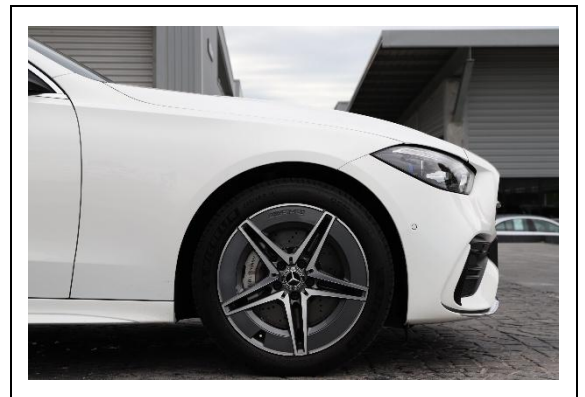
Front Right View



Front View



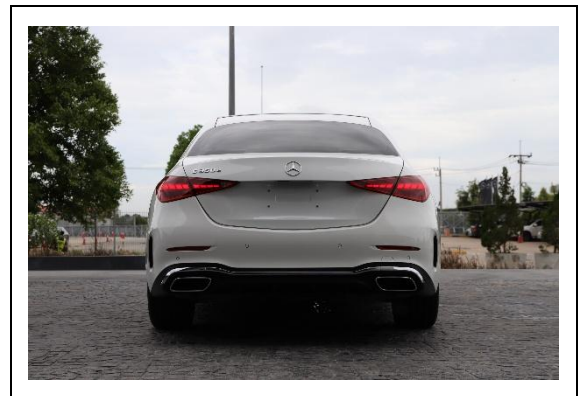
Front Left Side View



Front Right Side View



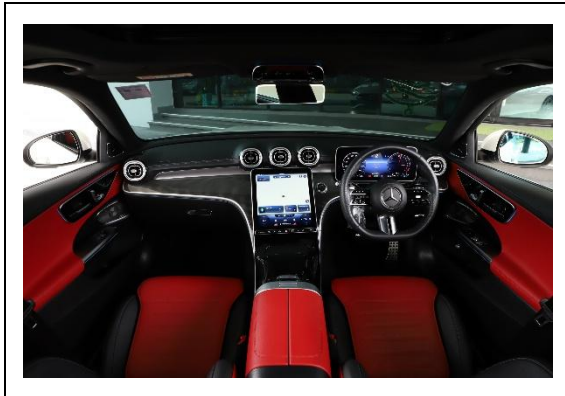
Rear Left Side View



Rear View

VIN: W1K2060546L009429
Inspection Report No.: 138
Inspection Date: 13/12/2024
KM Status: 18916

Photo documentation - Interior



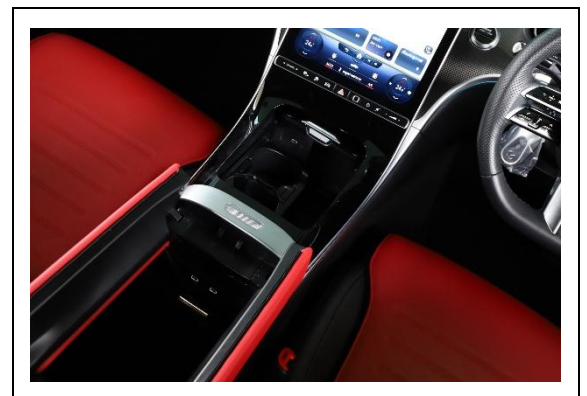
Cockpit



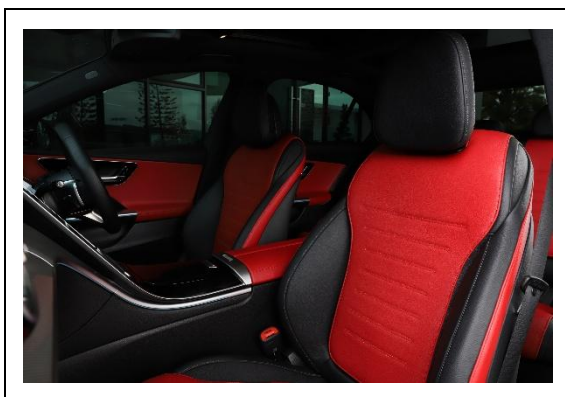
Media Display



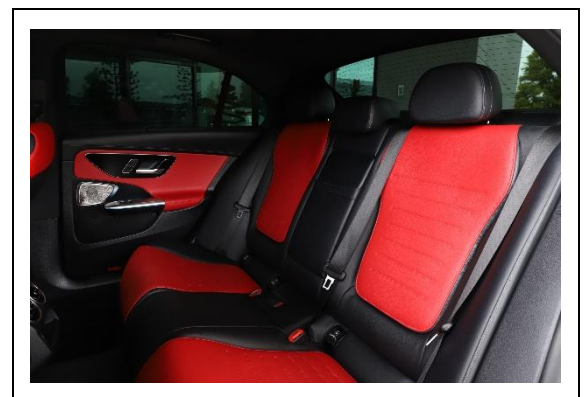
Instrument Cluster



Center Console



Front Entrance



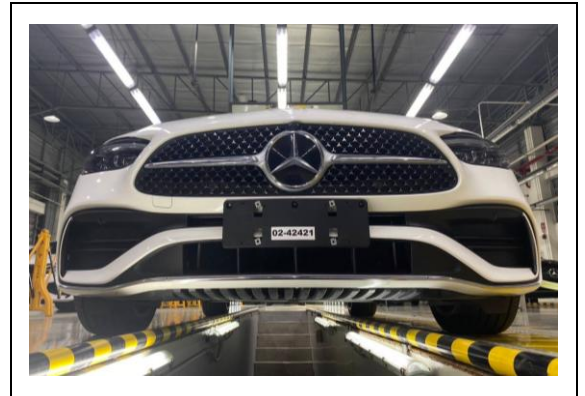
Rear Entrance

VIN: W1K2060546L009429
Inspection Report No.: 138
Inspection Date: 13/12/2024
KM Status: 18916

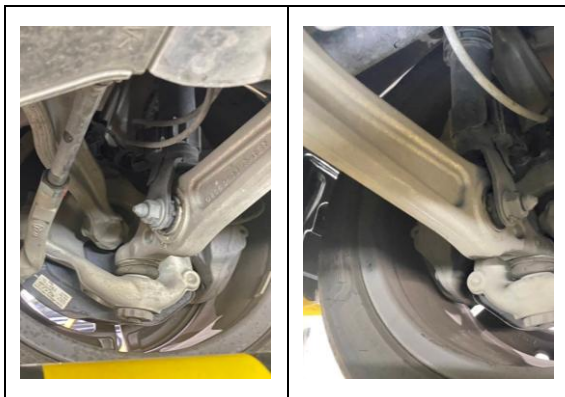
Photo documentation - Engine / Aggregates



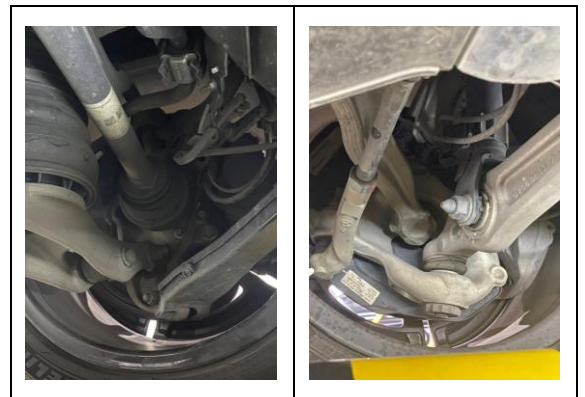
Engine



Underbody



Front Left / Right Axle



Rear Left / Right Axle



Front Left / Right Wheel



Rear Left / Right Wheel

VIN: W1K2060546L009429
Inspection Report No.: 138
Inspection Date: 13/12/2024
KM Status: 18916

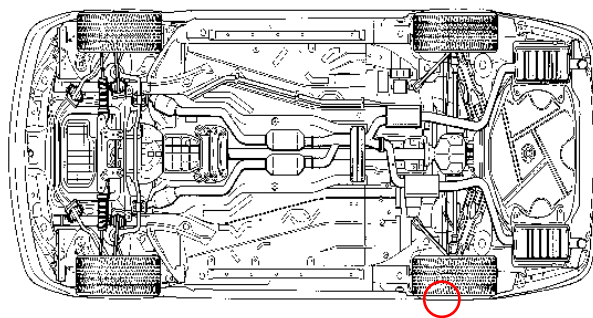
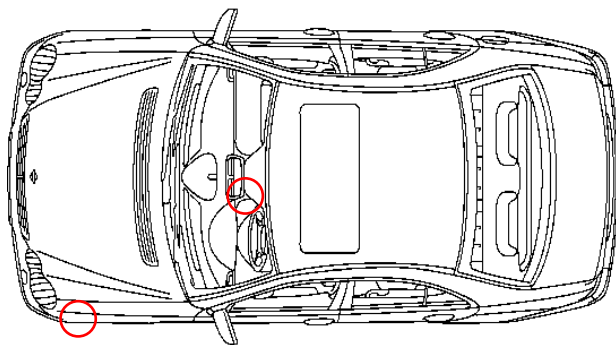
Scope of visual check based on MBTh requirements

A. Scope of visual inspection

Visual check of accident / flooding damage / impact on body, paint surface and underbody parts:

- | | |
|------------------------------------|-------------------------------------|
| N = No damage | <input type="checkbox"/> |
| S = Minor damage | <input type="checkbox"/> |
| M = Medium damage | <input checked="" type="checkbox"/> |
| L = Large / heavy damage or impact | <input type="checkbox"/> |
| X = Extra damage or impact | <input type="checkbox"/> |

Damage areas



B. Summarize condition statement

- Front Windshield - Chip
- Front Left Bumper - Scratch
- Rear Left Wheel - Scratch

VIN: W1K2060546L009429
Inspection Report No.: 138
Inspection Date: 13/12/2024
KM Status: 18916

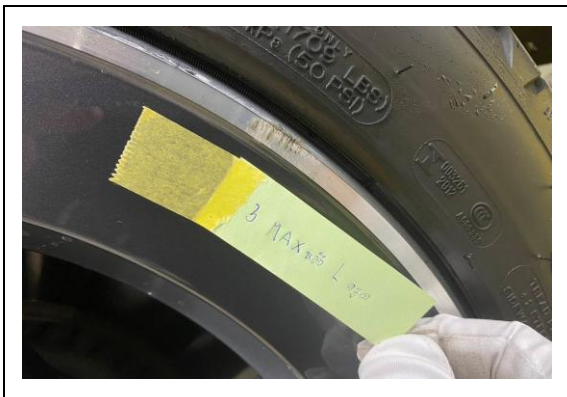
Photo documentation - Non-Conformities (if any)



Front Windshield - Chip



Front Left Bumper - Scratch



Rear Left Wheel - Scratch

